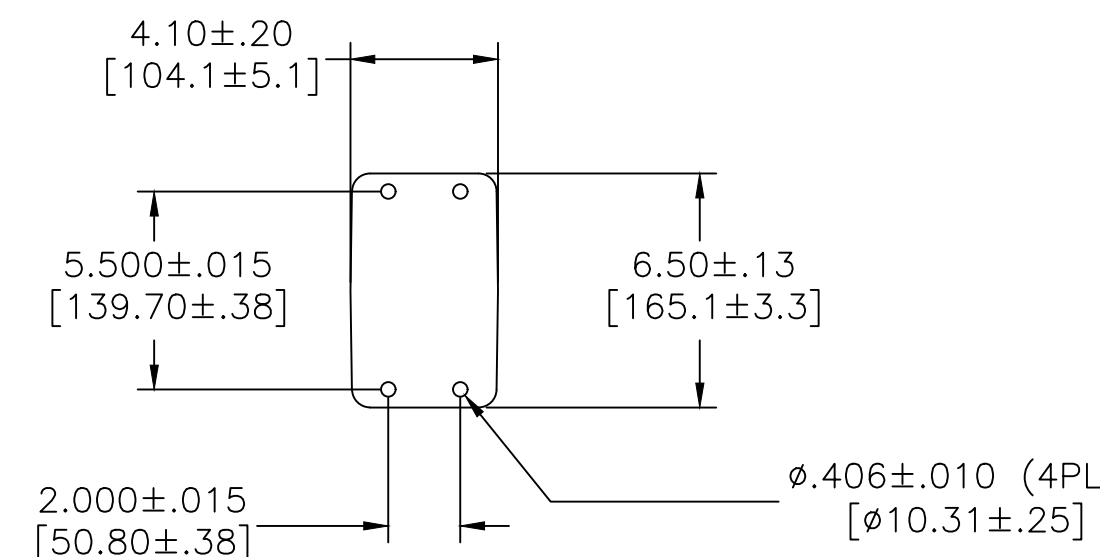
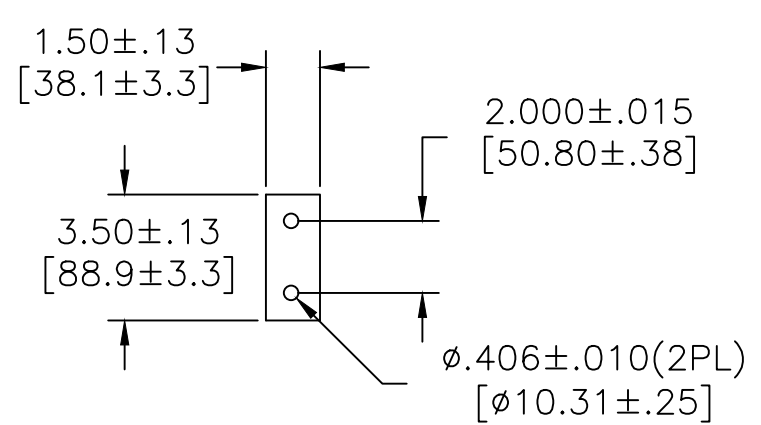
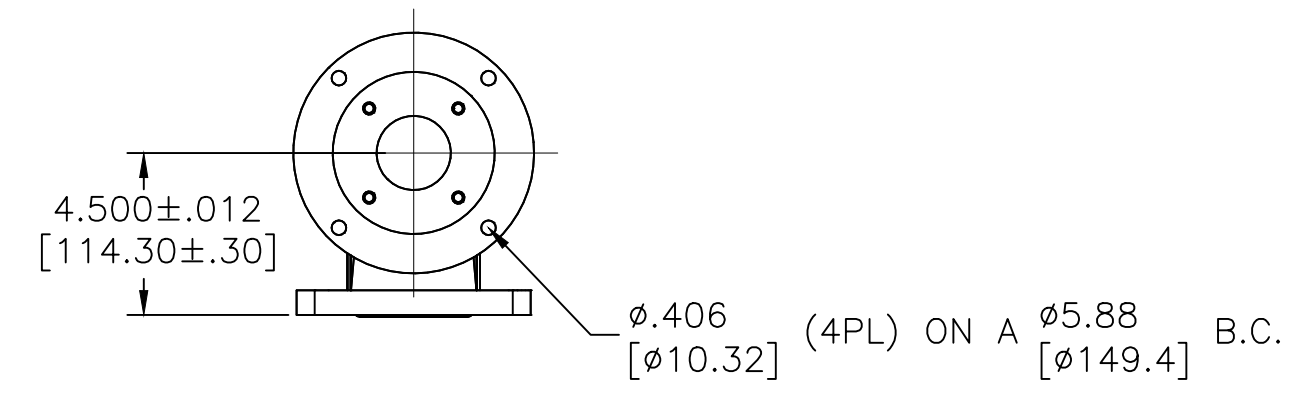
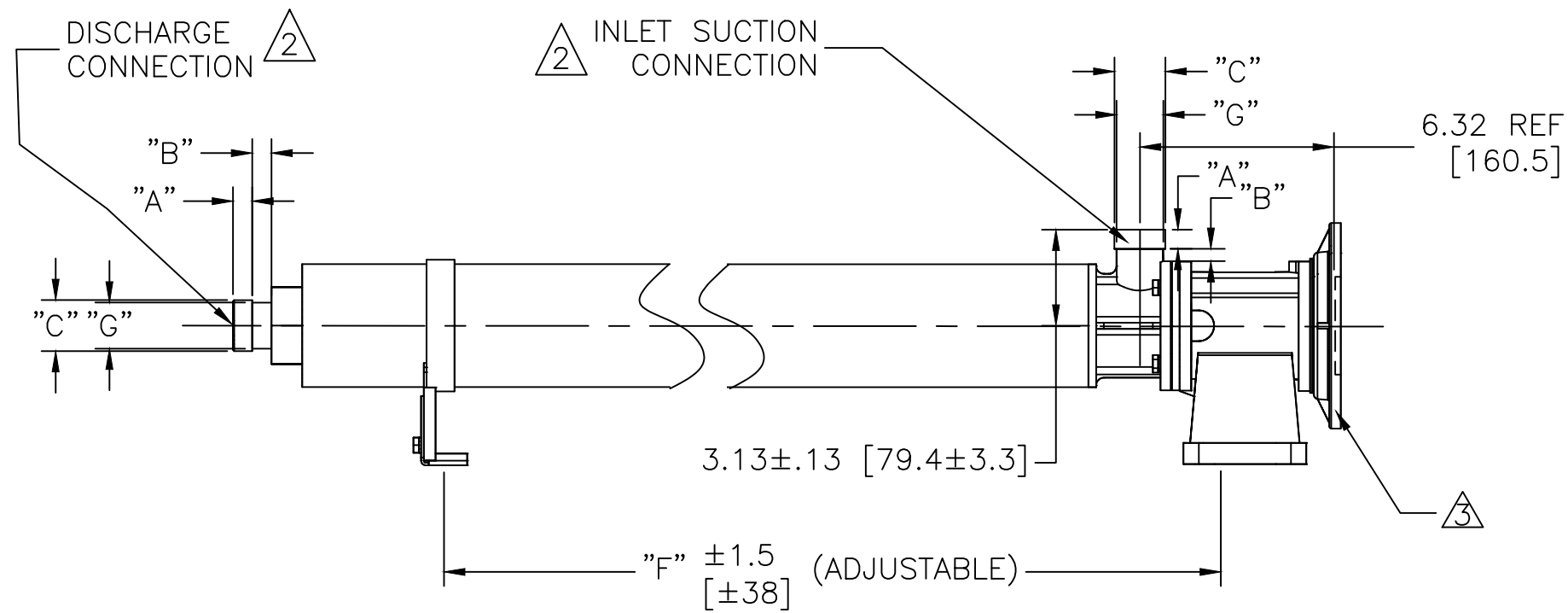
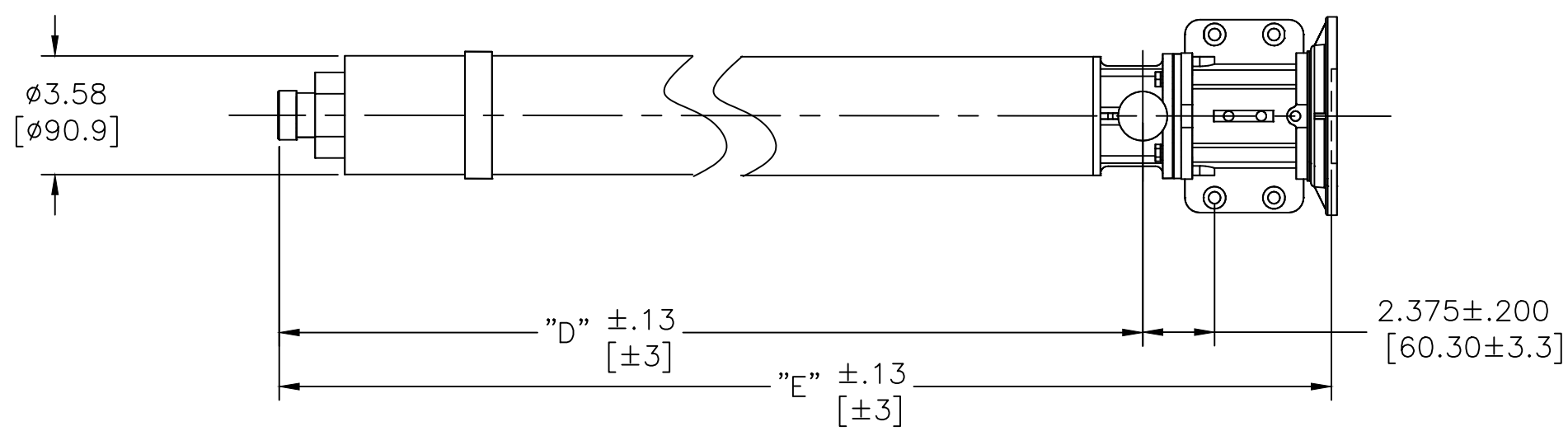


4

3

2

1



VICTAULIC® DIMENSIONS STANDARD 1.25" INLET & DISCHARGE CONNECTIONS		
ITEM	INCHES	MILLIMETERS
"A"	.625±.031	15.88±.78
"B"	.375±.031	9.53±.78
"C"	1.660 ^{+.045} _{-.031}	48.16 ^{+.114} _{-.78}
"G"	1.535 ^{+.000} _{-.020}	39.00 ^{+.00} _{-.51}

MODEL	"D"±.12		"E"±.12		"F" ±1.5 IN	
	INCHES	[MM]	INCHES	[MM]	INCHES	[MM]
538AZ	32.12	(816)	38.62	(981)	31.50/28.50	800/873
2805AZ	13.15	(334)	19.65	(499)	NO FOOT	NO FOOT
2808AZ	17.63	(448)	24.13	(613)	NO FOOT	NO FOOT
1823AZ	27.96	(710)	34.46	(875)	26.50/20.50	573/521
1832AZ	36.12	(917)	42.62	(1082)	34.50/27.50	875/700

- NOTES:
- DIMENSIONS ARE IN INCHES [MILLIMETERS].
 - PUMP INLET AND DISCHARGE CONNECTIONS MATE WITH 1.25-INCH VICTAULIC TYPE CLAMPED UNIONS, EXCEPT 538AZ ARE 3/4" NPT FEMALE.
 - PUMP WITH MOTOR ADAPTER WILL ACCEPT NEMA 56C FRAME MOTOR WITHOUT BASE, EXCEPT MODELS 1823A AND 1832A WILL ACCEPT SPECIAL 5 HP 56C FRAME MOTOR (AVAILABLE FROM TONKAFLO PUMPS ONLY.) MODEL 538AZ REQUIRES 1.19 SF MOTOR.

F	VEOLIA REBRANDING	140586	HP	NL	NL	09 Jan 23	TOLERANCES UNLESS NOTED
E	SUEZ REBRANDING	131562	TG	SR	MS	20 Sep 18	DECIMALS ANGLES
D	REDRAWN ON ACAD	3334	TDP	BJW	-	10 Jun 97	.X .1 2"
C	7.63 WAS 7.80	-	RLH	-	-	11 May 94	.XX .03 FRAC
B	ADD 1.15 SF MOTOR	-	PFM	-	-	04 Apr 84	.XXX .010
REV	DESCRIPTION	ECO	DWN	APPR	APPR	DATE	



CUSTOMER INFORMATION

DWG, TF, OUTLINE SS/SB500/
1800/2800 "AZ" SERIES PUMP

DRAWING NUMBER		REVISION
1120846		F
PROJECT NO.	PART/MATERIAL NO.	SCALE
		1/3
		SIZE
		C
		SHEET
		1 OF 1