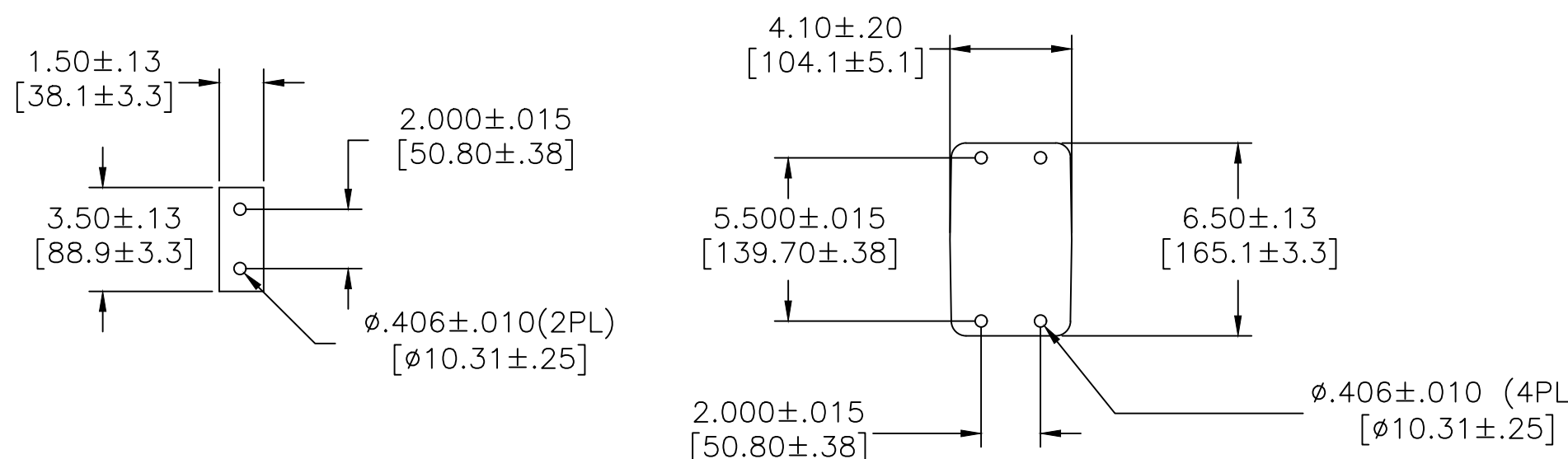
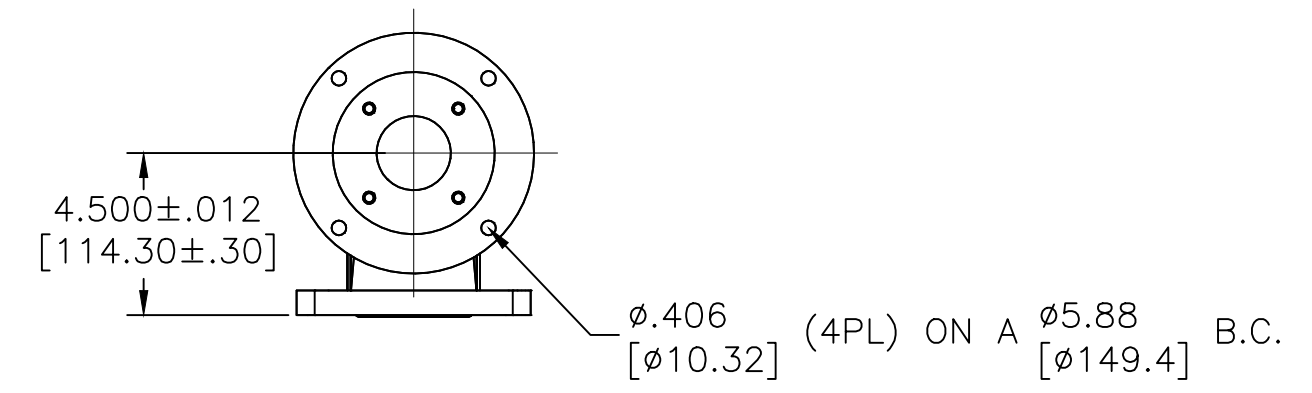
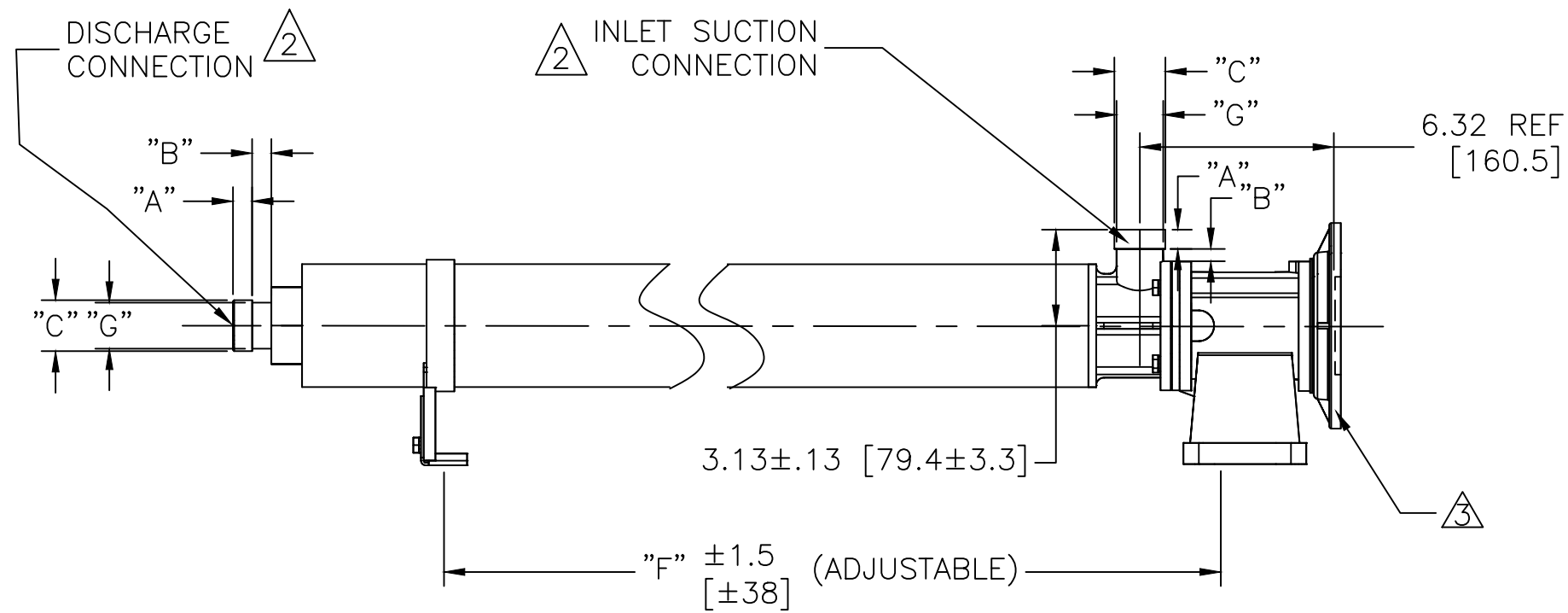
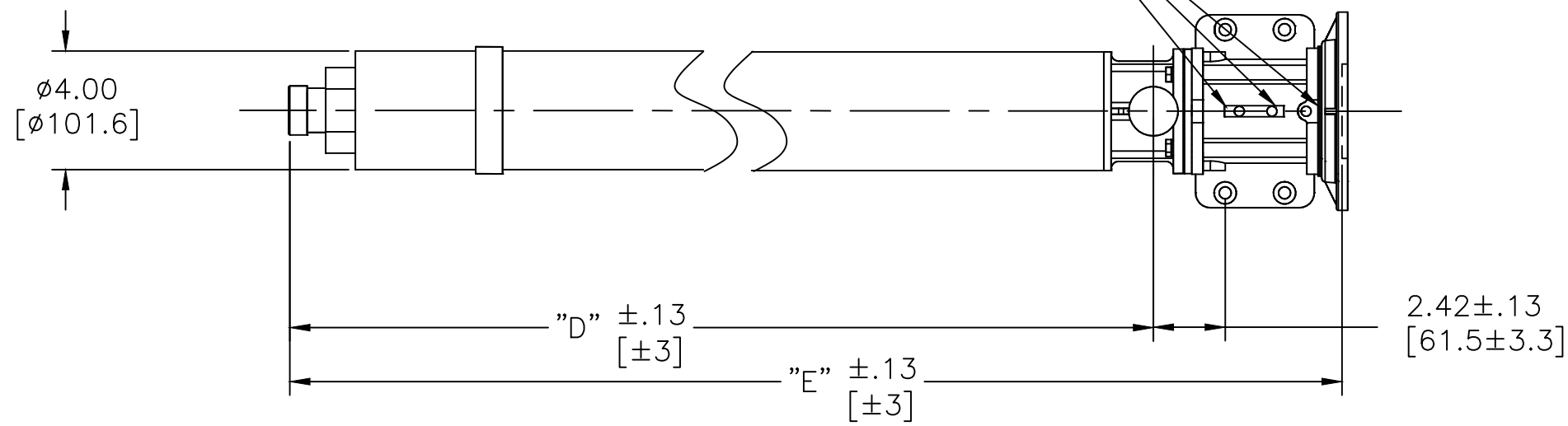


4 GREASE PORTS;
 LUBE CENTER FOR HORIZONTAL MOUNTING
 LUBE LEFT AND CENTER FOR VERTICAL MOUNTING, MOTOR DOWN
 LUBE RIGHT AND CENTER FOR VERTICAL MOUNTING, MOTOR UP



VICTAULIC® DIMENSIONS STANDARD 1.25" INLET & DISCHARGE CONNECTIONS		
ITEM	INCHES	MILLIMETERS
"A"	.625±.031	15.88±.78
"B"	.375±.031	9.53±.78
"C"	1.660 ^{+.045} _{-.031}	48.16 ^{+.14} _{-.78}
"G"	1.535 ^{+.000} _{-.020}	39.00 ^{+.00} _{-.51}

MODELS		"D"		"E"		"F"	
		INCHES	[MM]	INCHES	[MM]	INCHES	[MM]
60HZ	50HZ	12.90	328	19.22	488	-	-
AS408HZ/1608HZ/2508HZ							
AS412HZ/1612HZ/2512HZ	AS412HZ/1612HZ/2512HZ	16.22	412	22.54	573	14.0	355
AS417HZ/1617HZ	AS417HZ/1617HZ/2517HZ	20.37	517	26.69	678	18.1	460
AS423HZ		25.35	644	31.67	804	23.1	586
AS434HZ	AS434HZ	34.48	876	40.80	1036	32.2	818
AS445HZ	AS445HZ	43.61	1108	49.93	1268	41.4	1051

- NOTES:
- DIMENSIONS ARE IN INCHES [MILLIMETERS].
 - PUMP INLET AND DISCHARGE CONNECTIONS MATE WITH 1.25-INCH VICTAULIC TYPE CLAMPED UNIONS. PUMP INLET MAY BE ROTATED IN 90° INCREMENTS.
 - PUMP AND MOTOR ADAPTER WILL ACCEPT NEMA 56C FRAME ELECTRIC MOTORS. FLANGE IS TO BE FLUSH WITH THE END OF THE PUMP DRIVE SHAFT.
 - SEE PUMP INSTRUCTIONS P/N 1123174 FOR ADDITIONAL INFORMATION ON INSTALLATION, STARTUP, AND MAINTENANCE.

F VEOLIA REBRANDING		140586	HP	NL	NL	09 Jan 23	TOLERANCES UNLESS NOTED DECIMALS ANGLES .X .1 2" .XX .03 FRAC .XXX .010	CUSTOMER INFORMATION	DWG, TF, OUTLINE SS/SB500/ AS400/1600/2500 "HZ" SERIES PUMP	DRAWING NUMBER 1122936	REVISION F			
REV	DESCRIPTION	ECO	DWN	APPR	APPR	DATE				PROJECT NO.	PART/MATERIAL NO.	SCALE 3/16" = 1"	SIZE C	SHEET 1 OF 1

VEOLIA

LAST SAVED: Thursday, January 5, 2023 10:47:37 AM