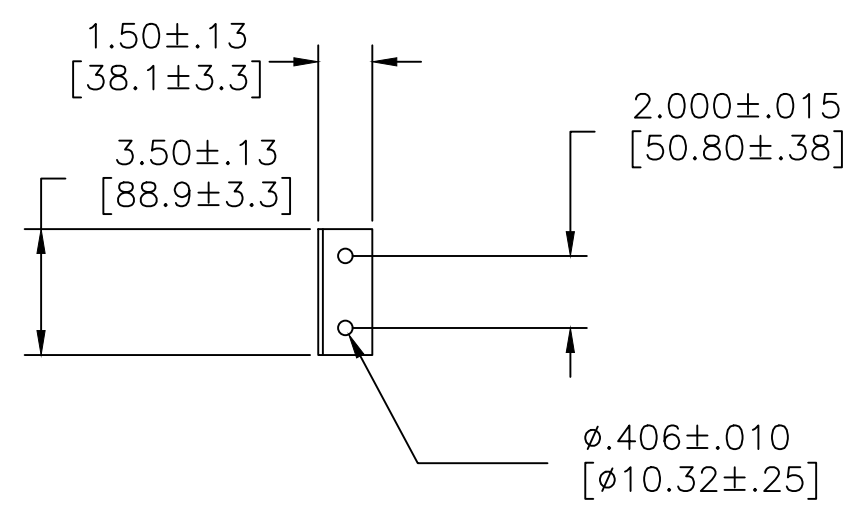
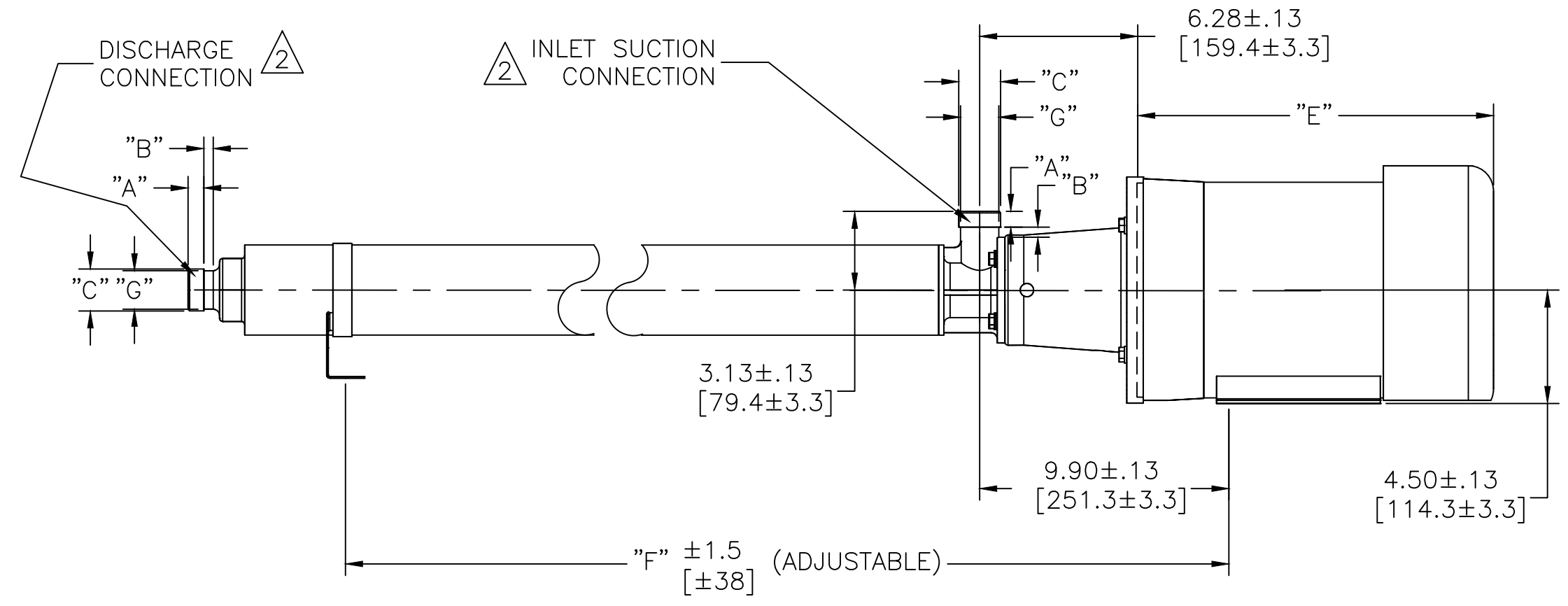
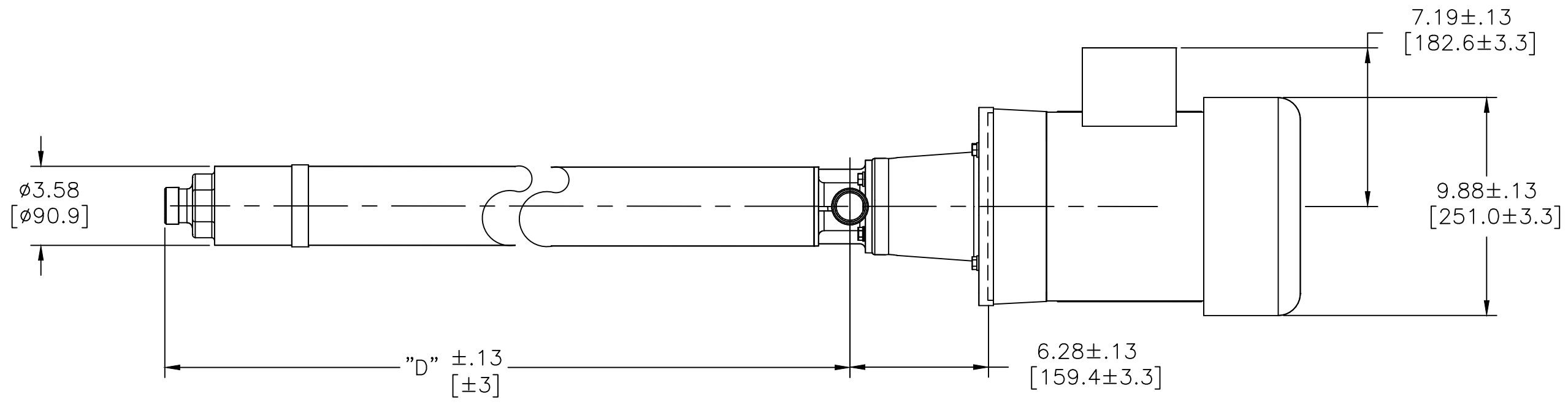


4

3

2

1



VICTAULIC® DIMENSIONS
STANDARD 1.25" INLET &
DISCHARGE CONNECTIONS

ITEM	INCHES	MILLIMETERS
"A"	.625±.031	15.88±.78
"B"	.375±.031	9.53±.78
"C"	1.660 ^{+.045} _{-.031}	48.16 ^{+.1,14} _{-.78}
"G"	1.535 ^{+.000} _{-.020}	39.00 ^{+.00} _{-.51}

MODELS		"D"		"F"		"E" MOTOR REF	
60HZ	50HZ	INCHES	[MM]	INCHES	[MM]	INCHES	[MM]
SS1823XB	SS1823XB	28.05	712	33	829	14.0	356
SS1828XB	SS1828XB	32.58	827	36	944	14.0	356
SS1832XB	SS1832XB	36.21	920	41	1036	14.0-15.5	356-394
SS1836XB		43.07	1094	48	1211	14.0-15.5	356-394
SS1838XB	SS1838XB	44.89	1140	49	1257	14.0-15.5	356-394
	SS1848XB	54.72	1390	59	1507	14.0-15.5	356-394

- NOTES:
1. DIMENSIONS ARE IN INCHES [MILLIMETERS].
 2. PUMP INLET AND DISCHARGE CONNECTIONS MATE WITH 1.25-INCH VICTAULIC TYPE CLAMPED UNIONS. PUMP INLET MAY BE ROTATED IN 90° INCREMENTS.
 3. SEE PUMP INSTRUCTIONS P/N 1125857 FOR ADDITIONAL INFORMATION ON INSTALLATION, STARTUP, AND MAINTENANCE.

E	VEOLIA REBRANDING	140586	HP	NL	NL	09 Jan 23	TOLERANCES UNLESS NOTED
D	SUEZ REBRANDING	131562	TG	SR	MS	20 Sep 18	DECIMALS ANGLES
C	REMOVE 2600 PUMPS	6120	PFM	WJE		29 Jul 03	.X .1 XX .03 XXX .010
B	REDRAWN ON ACAD	3334	RLH	MJT		23 JUN 98	
A	RELEASED PER ECO	2577	RLH	WJE		13 OCT 97	
REV	DESCRIPTION	ECO	DWN	APPR	APPR	DATE	



CUSTOMER INFORMATION		DRAWING NUMBER		REVISION
DWG, TF, OUTLINE		1125798		E
SS1800XB		DOC. OWNER:-		
PROJECT NO.	PART/MATERIAL NO.	SCALE	SIZE	SHEET
		3/16" = 1"	C	1 OF 1

4

3

2

1