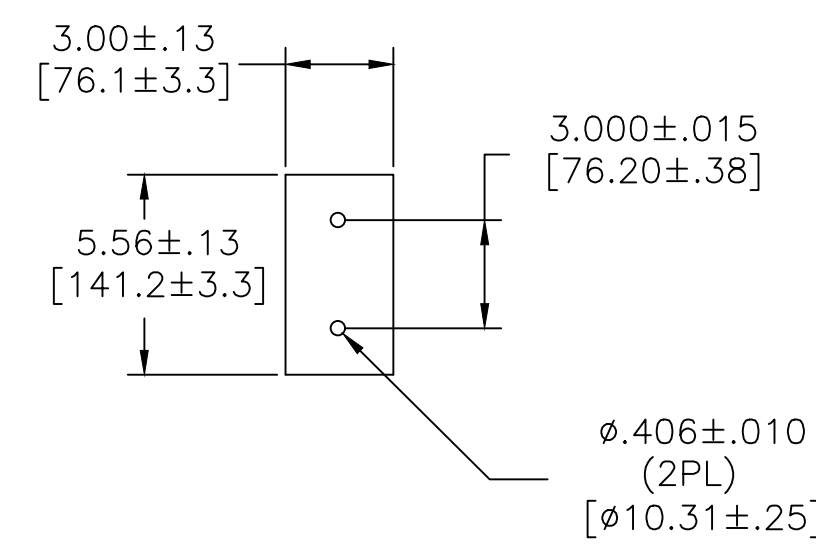
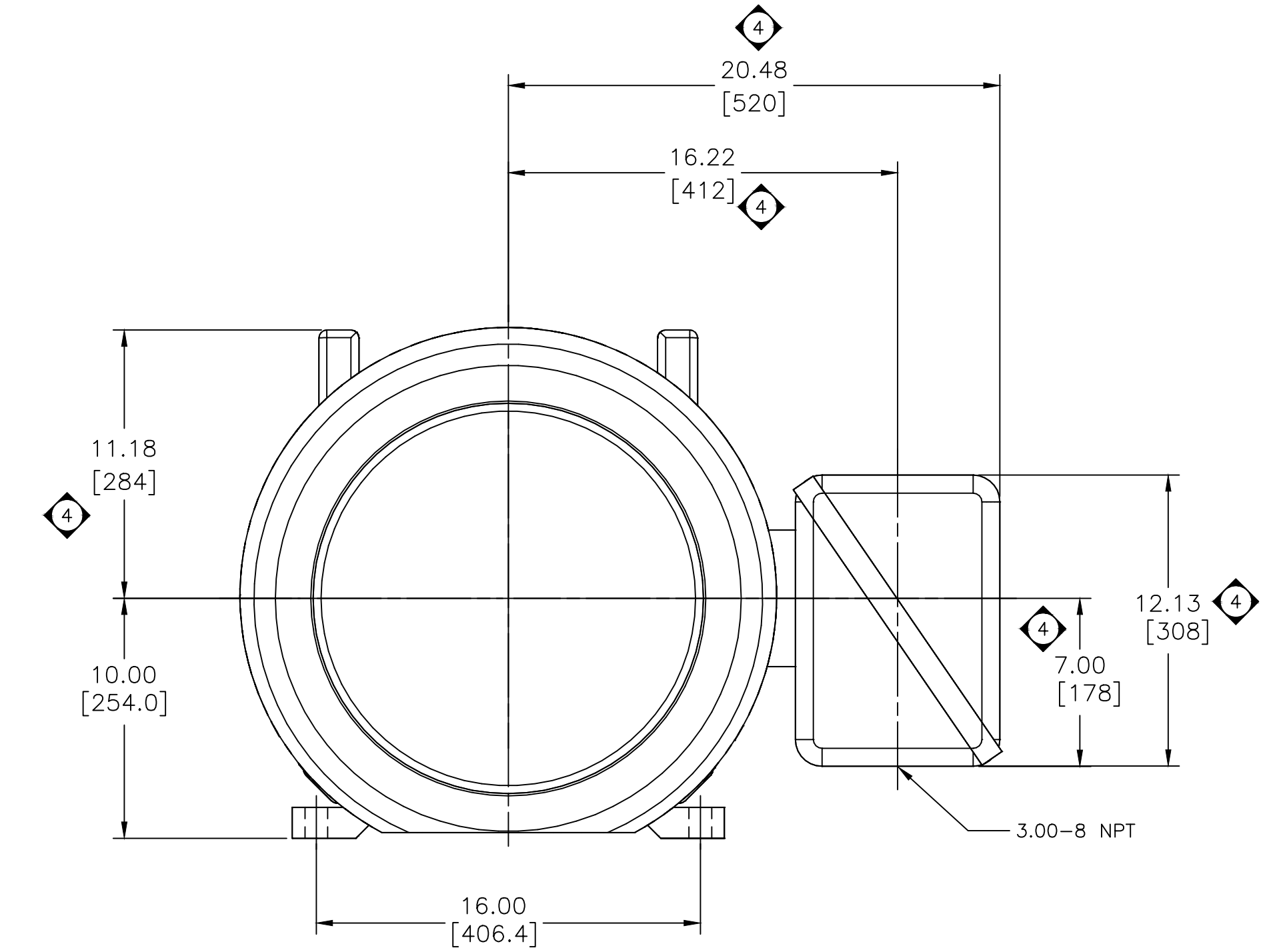
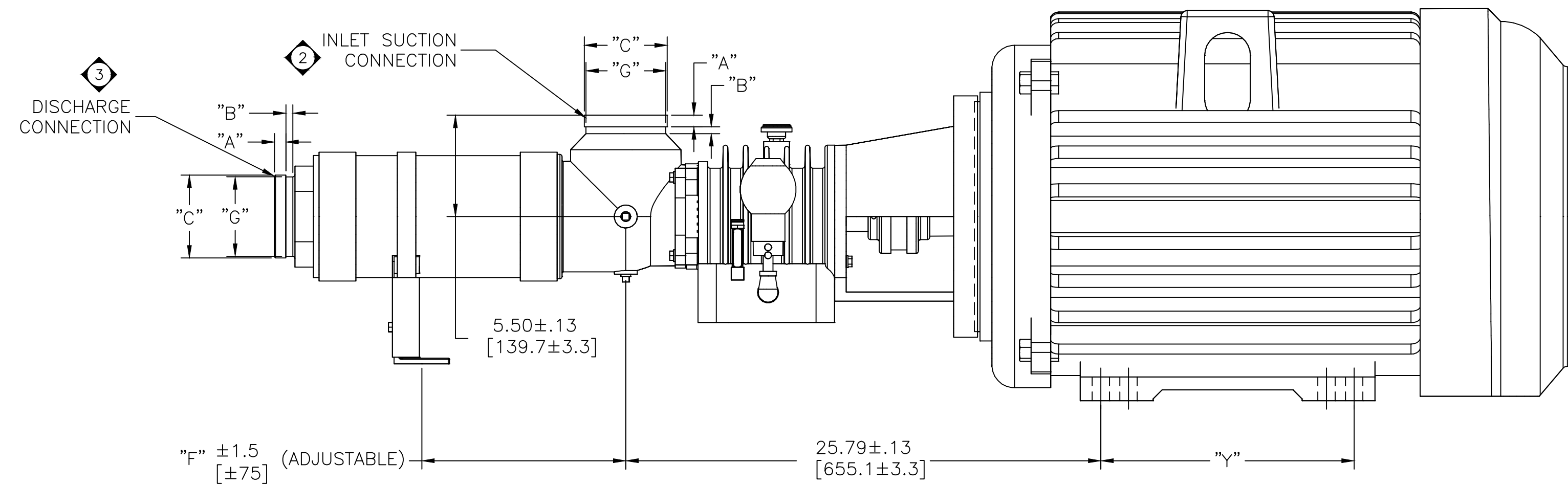
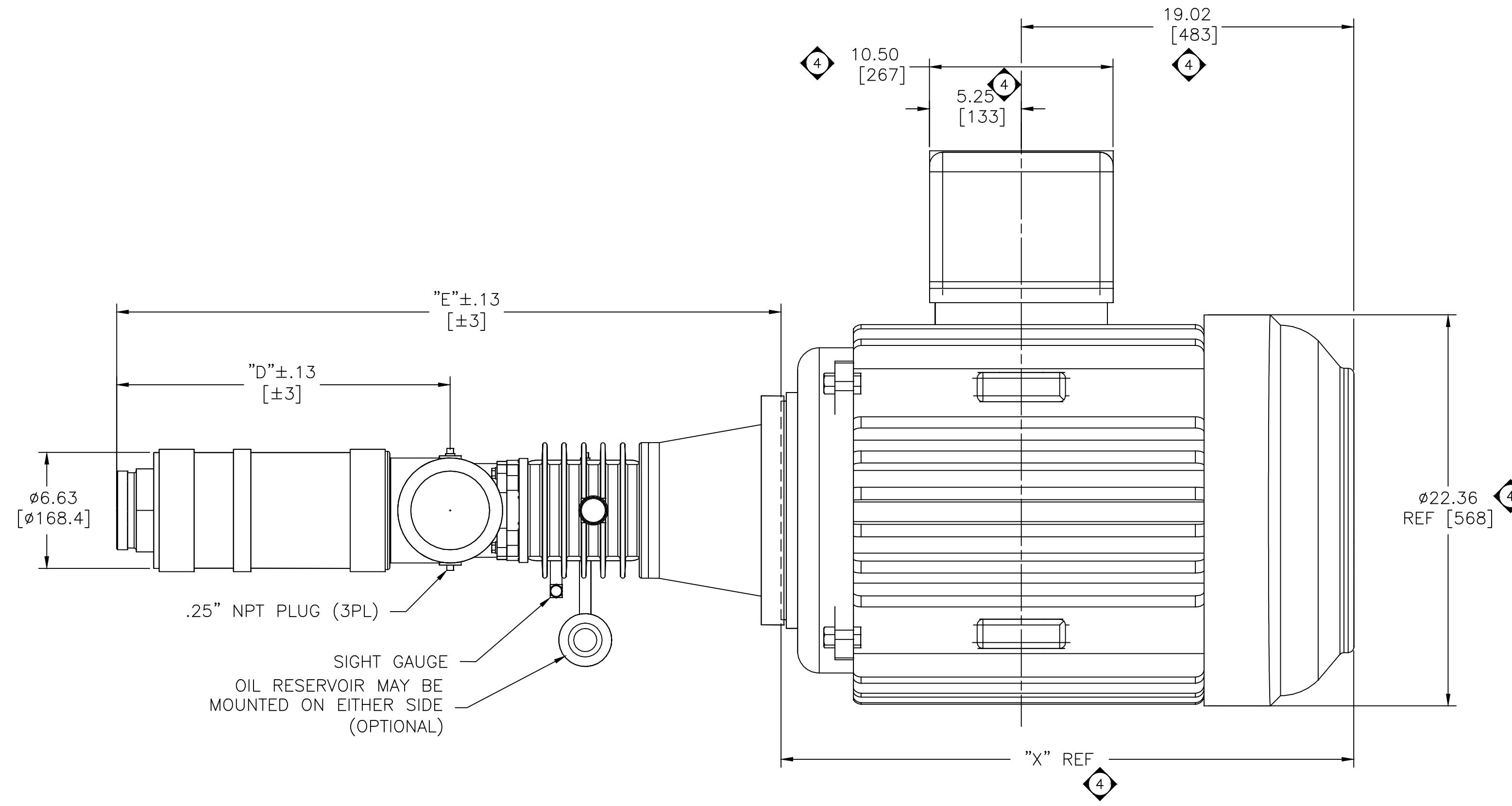


NOTES:

1. DIMENSIONS ARE IN INCHES [MILLIMETERS].
2. 406XX PUMP MODELS MATE WITH 6-INCH VICTAULIC TYPE CLAMPED UNION. 404XX PUMP MODELS MATE WITH 4-INCH VICTAULIC TYPE CLAMPED UNION. 4-INCH INLET IS SHOWN. INLET MAY BE ROTATED IN 90° INCREMENTS. SEE TABLE FOR VICTAULIC DIMENSIONS.
3. PUMP DISCHARGE CONNECTIONS MATE WITH 4-INCH VICTAULIC TYPE CLAMPED UNION
4. TEFC GENERAL ELECTRIC 405TSC MOTOR SHOWN, MOTOR DIMENSIONS WILL VARY WITH MANUFACTURER AND ARE SHOWN FOR REFERENCE ONLY.
5. PUMP AND MOTOR ADAPTER WILL ACCEPT NEMA 404/405TSC FRAMES 3600 RPM ELECTRIC MOTOR AND A WOODS OR DODGE FLEXIBLE COUPLING WITH THE END OF THE PUMP DRIVE SHAFT. THE 404/405TSC FRAME MOTORS MUST HAVE A BASE AND BE RIGIDLY MOUNTED. MOUNTING OF BEARING FRAME BASE IN A STRAIN-FREE MANNER IS OPTIONAL WITH 404/405TSC FRAME MOTORS.
6. SEE PUMP INSTRUCTIONS P/N 1125317 FOR ADDITIONAL INFORMATION ON INSTALLATION, STARTUP, AND MAINTENANCE.



MOTOR SIZE	"X"		"Y"	
	INCHES	[MM]	INCHES	[MM]
404TSC	32.76	832	12.25	311
405TSC	32.76	832	13.75	349

VICTAULIC® DIMENSIONS STANDARD 4" DISCHARGE CONNECTIONS			VICTAULIC® DIMENSIONS STANDARD 6" INLET CONNECTION		
ITEM	INCHES	MILLIMETERS	ITEM	INCHES	MILLIMETERS
"A"	.625±.031	15.88±.78	"A"	.625±.031	15.88±.78
"B"	.375±.031	9.53±.78	"B"	.375±.031	9.53±.78
"C"	4.500 ^{+.045} _{-.031}	114.30 ^{+.114} _{-.78}	"C"	6.625 ^{+.063} _{-.031}	168.28 ^{+.160} _{-.78}
"G"	4.334 ^{+.000} _{-.020}	110.08 ^{+.00} _{-.51}	"G"	6.455 ^{+.000} _{-.022}	163.96 ^{+.00} _{-.56}

MODELS		"D"		"E"		"F"	
60HZ	50HZ	INCHES	[MM]	INCHES	[MM]	INCHES	[MM]
AS40412KTF/AS40612KTF	AS40412KTF/AS40612KTF	69.88	1775	88.79	2255	57.88	1470
	AS40415KTF/AS40615KTF	85.01	2159	103.92	2640	73.01	1854

REV	DESCRIPTION	ECO	DWN	APPR	APPR	DATE
D	VEOLIA REBRANDING	140660	SPR	NL	NL	06 Apr 23
C	VEOLIA REBRANDING	140586	HP	NL	NL	09 Jan 23
B	SUEZ REBRANDING	131562	TG	SR	MS	19 Oct 18
A	INITIAL RELEASE	5214	-	-	-	-

TOLERANCES UNLESS NOTED	
DECIMALS	ANGLES
.X +/-1	+/-2°
.XX +/-03	FRAC
.XXX +/-010	N/A



CUSTOMER INFORMATION

DWG, TF, OUTLINE, AS40000KTF
404/405TSC NEMA MOTOR

DRAWING NUMBER				REVISION	
1202832				D	
REF.: -	PROJECT NO.	PART/MATERIAL NO.	SCALE	SIZE	SHEET
		1225756	3:16	D	1 OF 1