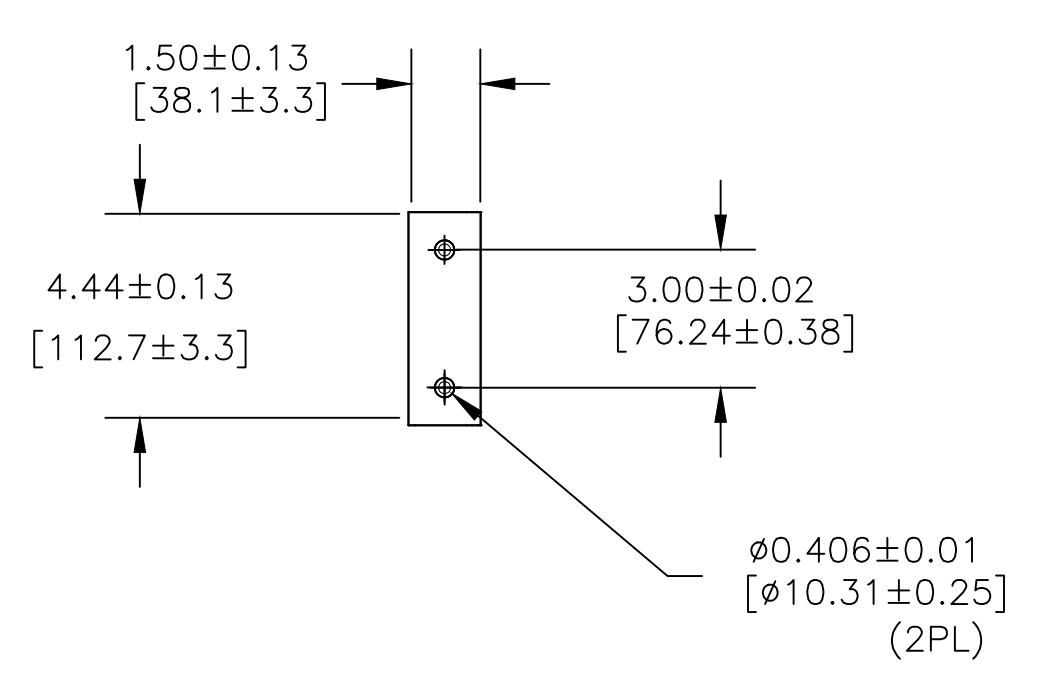
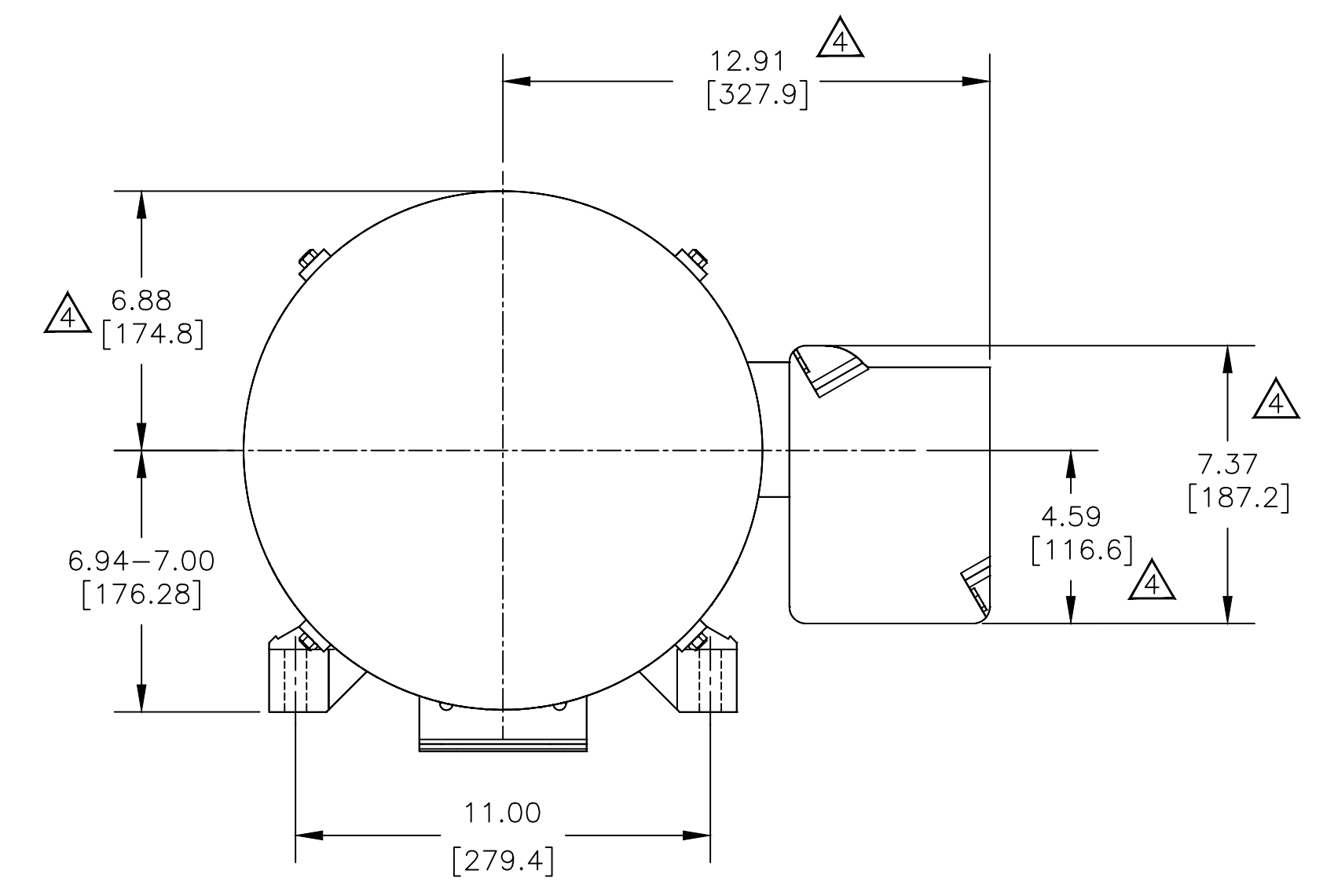
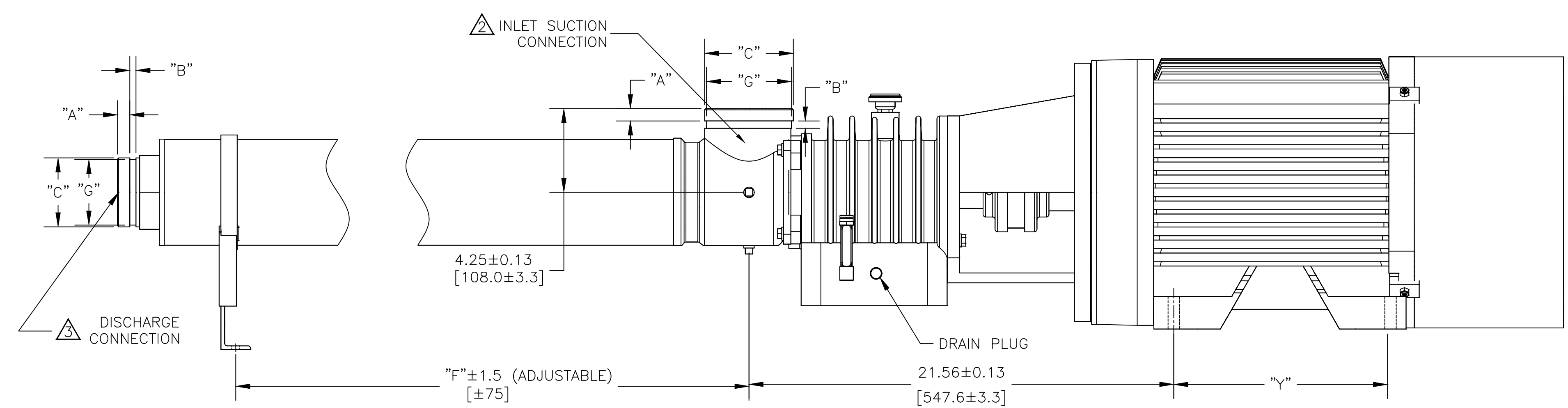
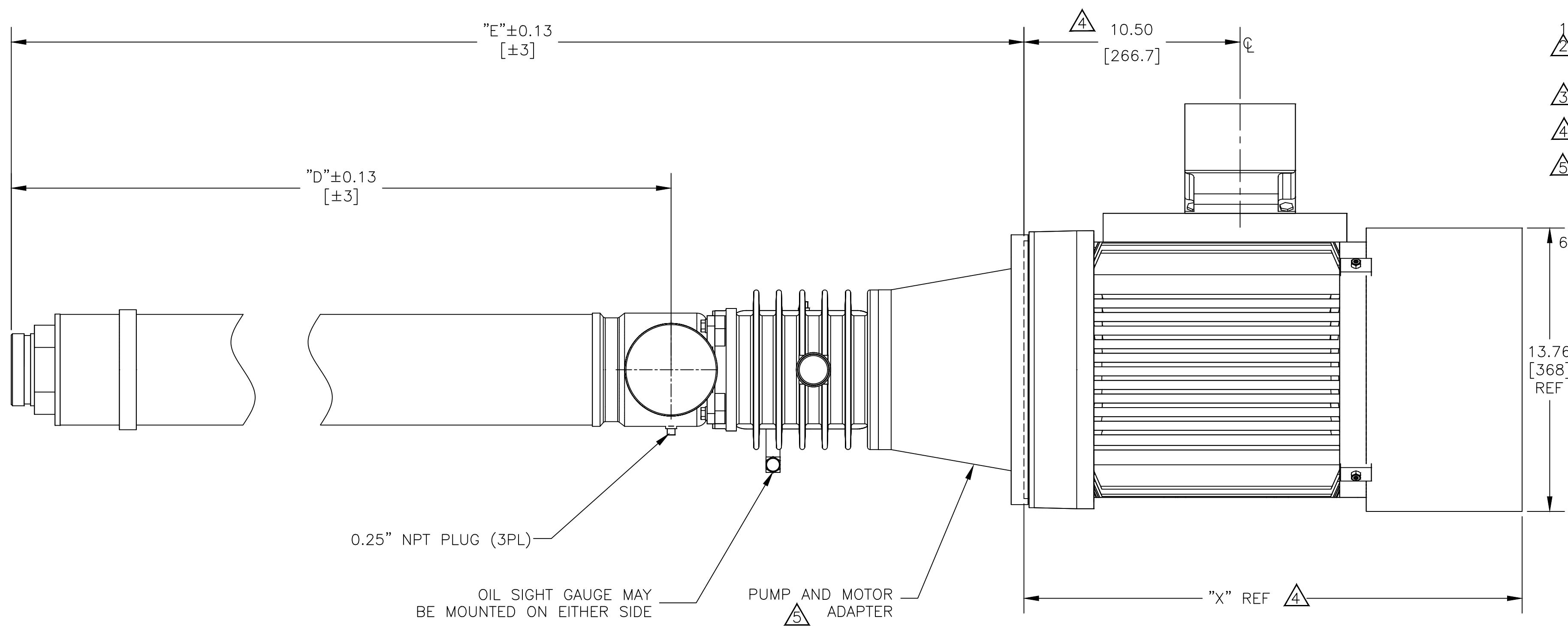


NOTES:

- 1 DIMENSIONS ARE IN INCHES [MILLIMETERS].
- 2 PUMP INLET CONNECTIONS MATE WITH 3-INCH VICTAULIC TYPE CLAMPED UNION.
- 3 PUMP INLET MAY BE ROTATED IN 90° INCREMENTS.
- 4 PUMP DISCHARGE CONNECTIONS MATE WITH 3-INCH VICTAULIC TYPE CLAMPED UNION.
- 5 TEFC GE 284TSC MOTOR SHOWN, MOTOR DIMENSIONS WILL VARY WITH MANUFACTURER AND ARE SHOWN FOR REFERENCE ONLY.
- 6 PUMP AND MOTOR ADAPTER WILL ACCEPT NEMA 284/286TSC FRAMES 3565 RPM ELECTRIC MOTOR AND A FLEXIBLE COUPLING WITH THE END OF THE PUMP DRIVE SHAFT.
- 7 THE 284/286TSC FRAME MOTORS MUST HAVE A BASE AND BE RIGIDLY MOUNTED. MOUNTING OF BEARING FRAME BASE IN A STRAIN-FREE MANNER IS OPTIONAL WITH 284/286TSC FRAME MOTORS.
- 8 SEE PUMP INSTRUCTIONS P/N 1125317 FOR ADDITIONAL INFORMATION ON INSTALLATION, STARTUP, AND MAINTENANCE.



| VICTAULIC® DIMENSIONS STANDARD 3" INLET & DISCHARGE CONNECTIONS | | |
|---|---|---|
| ITEM | INCHES | MILLIMETERS |
| "A" | 0.625±0.031 | 15.88±0.78 |
| "B" | 0.312±0.031 | 7.94±0.78 |
| "C" | 3.500±0.031 | 88.90±0.78 |
| "G" | 3.344 ^{+0.000} _{-0.018} | 84.94 ^{+0.00} _{-0.46} |

| NEMA FRAME SIZE | "X" | | "Y" | |
|-----------------|--------|------|--------|------|
| | INCHES | [MM] | INCHES | [MM] |
| 284TSC | 24.20 | 560 | 9.50 | 241 |
| 286TSC | 24.20 | 598 | 11.00 | 279 |

| MODELS | | "D" | "E" | "F" |
|-----------|-----------|--------|--------|--------|
| 60HZ | 50HZ | INCHES | INCHES | INCHES |
| AS9017KZC | AS9017KZC | 48.88 | 66.02 | 42.88 |
| AS9022KZC | AS9022KZC | 60.80 | 77.33 | 54.80 |
| | AS9029KZC | 77.39 | 94.53 | 71.39 |

| REV | DESCRIPTION | ECO | DWN | APPR | DATE | |
|-----|---|--------|-----|------|------|-----------|
| F | VEOLIA REBRANDING | 140586 | HP | NL | NL | 09 Jan 23 |
| E | SUEZ REBRANDING | 131562 | TG | SR | MS | 20 Sep 18 |
| D | DIMENSION CHANGE | 17158 | VSK | MG | BRB | 20JUN16 |
| C | SUCTION HEIGHT ADJUSTED | 15466 | GMK | SS | MG | 30JAN13 |
| B | CORRECTED TABLES, REVISED DIMENSIONS IN | 15205 | GMK | SS | MG | 09AUG12 |

| TOLERANCES UNLESS NOTED | |
|-------------------------|--------|
| DECIMALS | ANGLES |
| .X .1 | 2 |
| .XX .03 | FRAC |
| .XXX .010 | |



CUSTOMER INFORMATION

DWG,TF,OUTLINE,AS9000KZC,
284/286TSC NEMA MOTOR

| DRAWING NUMBER | | REVISION | |
|----------------|---------------|-------------|-------------------|
| 1310489 | | F | |
| REF.: - | DOC. OWNER: - | PROJECT NO. | PART/MATERIAL NO. |
| | | SCALE | SIZE |
| | | 1:4 | D |
| | | SHEET | 1 OF 1 |