

NOTES:

- 1 DIMENSIONS ARE IN INCHES [MILLIMETERS].
- 2 PUMP INLET CONNECTIONS MATE WITH 3-INCH VICTAULIC TYPE CLAMPED UNIONS. PUMP INLET MAY BE ROTATED IN 90° INCREMENTS.
- 3 PUMP DISCHARGE CONNECTIONS MATE WITH 3-INCH VICTAULIC TYPE CLAMPED UNIONS.
- 4 PUMP AND MOTOR ADAPTER WILL ACCEPT NEMA 215TC FRAME 3565 RPM ELECTRIC MOTORS AND A FLEXIBLE COUPLING. FOR 215TC FRAME MOTORS, THE FLANGE IS TO BE FLUSH WITH THE END OF THE PUMP DRIVE SHAFT.
- 5 SEE PUMP INSTRUCTIONS P/N 1123175 FOR ADDITIONAL INFORMATION ON INSTALLATION, STARTUP, AND MAINTENANCE.

NEMA FRAME SIZE	INCHES	[MM]
213/215TC	8.00	203.2

NEMA FRAME SIZE	INCHES	[MM]
213/215TC	9.50	241.4

NEMA FRAME SIZE	INCHES	[MM]
213/215TC	3.50	88.9

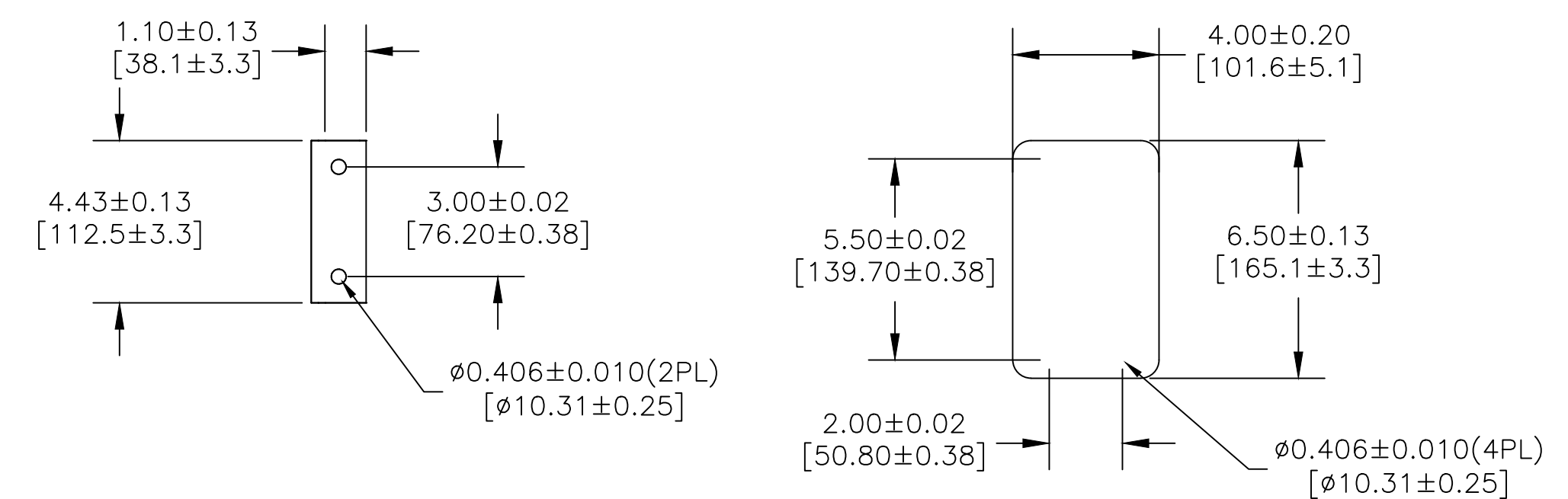
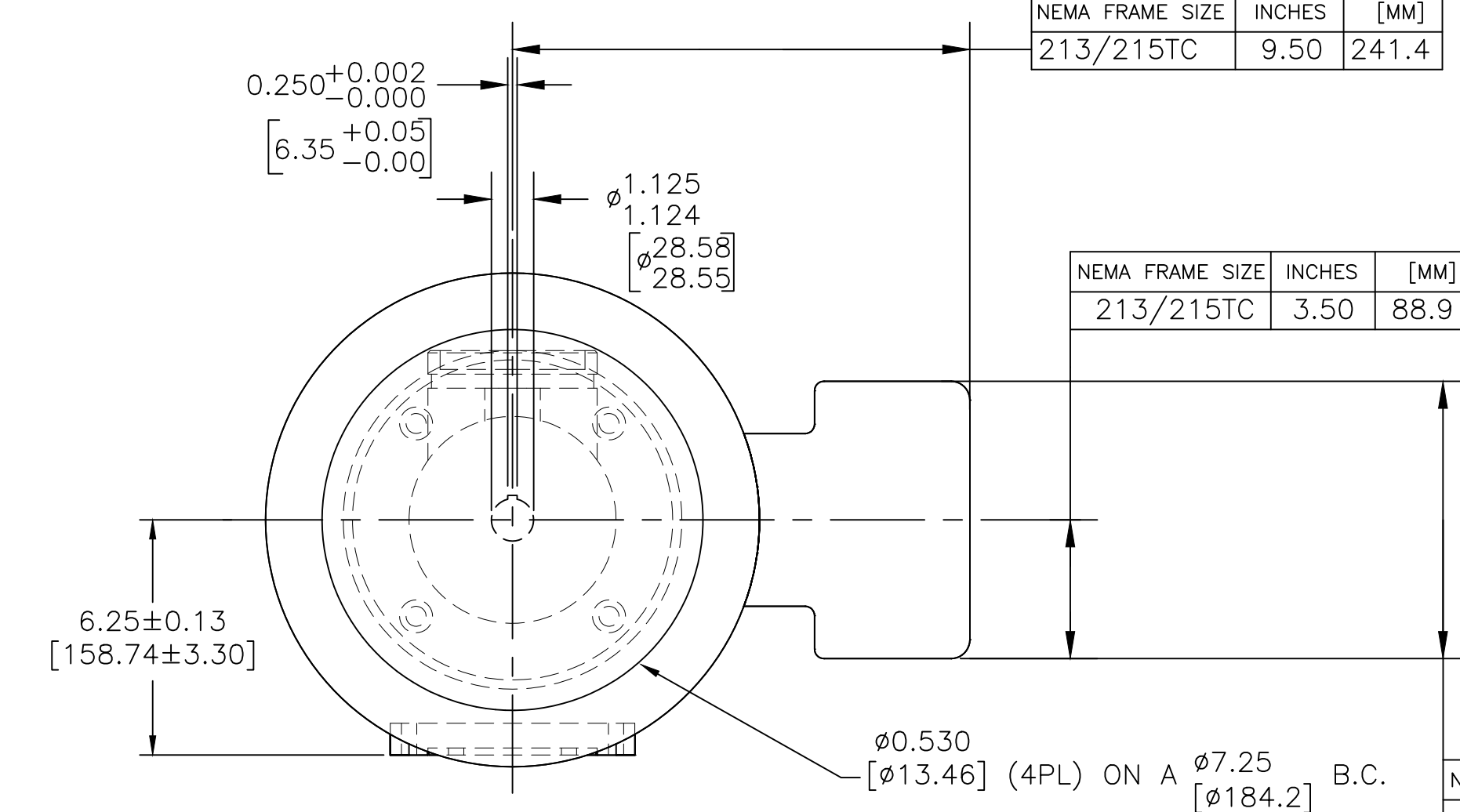
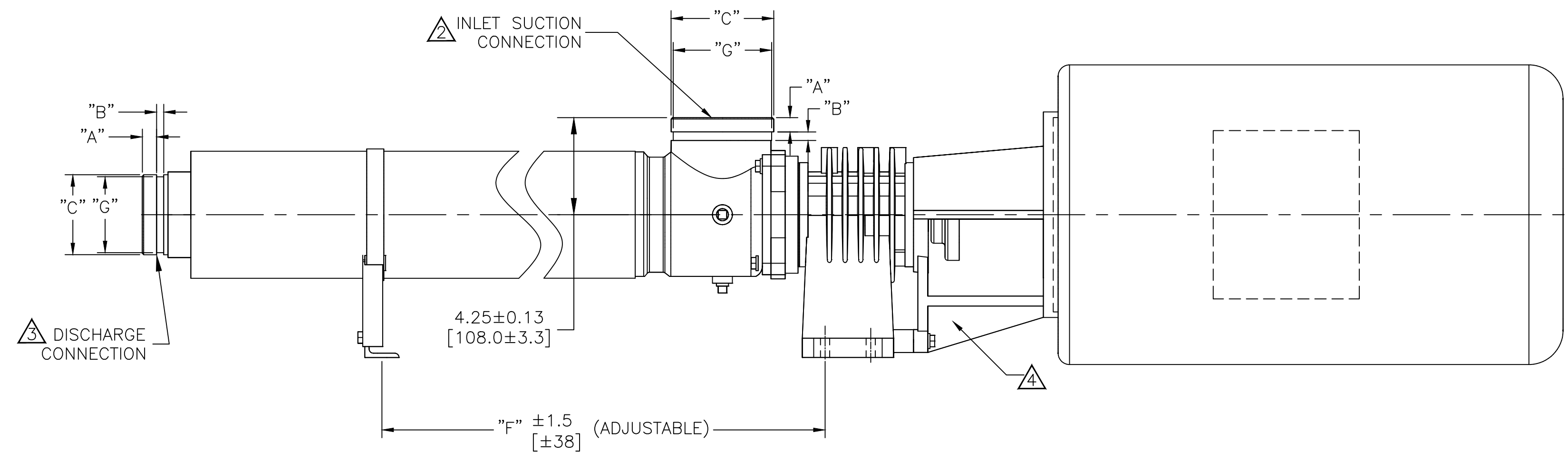
NEMA FRAME SIZE	INCHES	[MM]
231/215TC	5.78	147

VICTAULIC® DIMENSIONS STANDARD 3" INLET & DISCHARGE CONNECTIONS		
ITEM	INCHES	MILLIMETERS
"A"	0.625±0.031	15.88±0.78
"B"	0.312±0.031	7.94±0.78
"C"	3.50±0.031	88.90±0.78
"G"	3.344 <sup>+0.000</sup> <sub>-0.018</sub>	84.94 <sup>+0.00</sup> <sub>-0.46</sub>

MODELS		"D"	"E"	"F"
60HZ	50HZ	INCHES	INCHES	INCHES
AS14004D	AS14004D	23.49	36.73	17.487

NEMA FRAME SIZE	"X"		"Y"		"Z"	
	INCHES	[MM]	INCHES	[MM]	INCHES	[MM]
213/215TC	17.77	451.4	FOOT	LESS	11.00	279.4

GREASE PORTS;  
LUBE CENTER FOR HORIZONTAL MOUNTING  
LUBE LEFT AND CENTER FOR VERTICAL MOUNTING, MOTOR DOWN  
LUBE RIGHT AND CENTER FOR VERTICAL MOUNTING, MOTOR UP



REV	DESCRIPTION	ECO	DWN	APPR	APPR	DATE
E	VEOLIA REBRANDING	140586	HP	NL	NL	09 Jan 23
D	SUEZ REBRANDING	131562	TG	SR	MS	20 Sep 18
C	SUCTION HEIGHT ADJUSTED	15466	GMK	SS	MG	30JAN13
B	CORRECTED TABLES, REVISED DIMENSIONS IN	15205	GMK	SS	MG	09AUG12
A	INITIAL RELEASE	14826	-	-	-	-

TOLERANCES UNLESS NOTED	
DECIMALS	ANGLES
.X 0.1	2
.XX 0.03	FRAC
.XXX 0.010	



CUSTOMER INFORMATION

DWG,TF,OUTLINE,  
AS14000"D"SERIES PUMP

DRAWING NUMBER				REVISION	
1310574				E	
REF.:	PROJECT NO.	PART/MATERIAL NO.	SCALE	SIZE	SHEET
-	-	-	1:4	D	1 OF 1