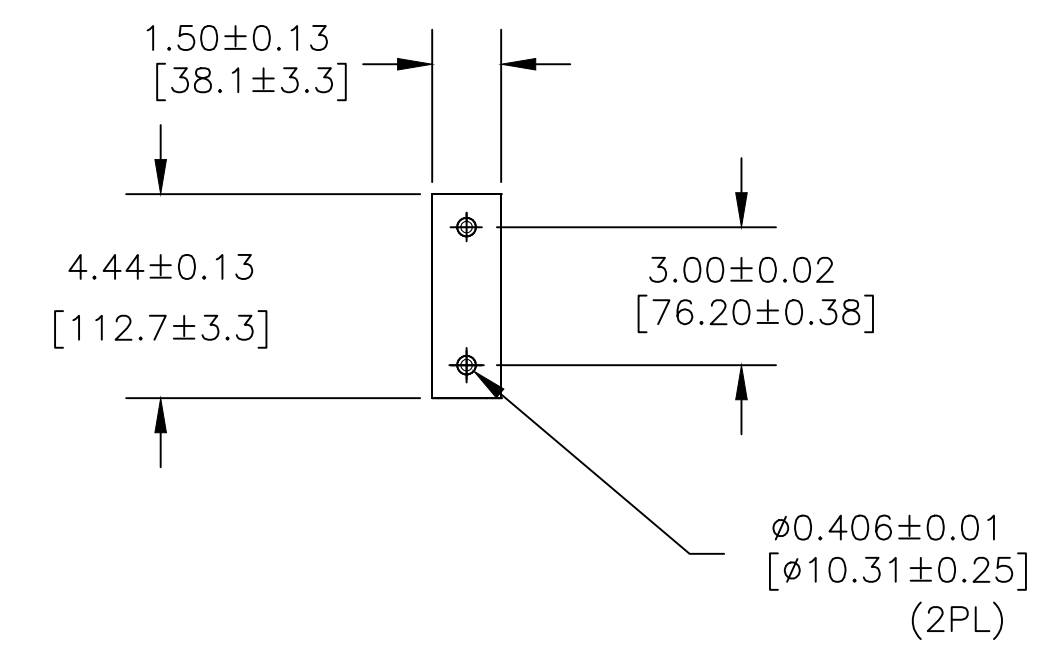
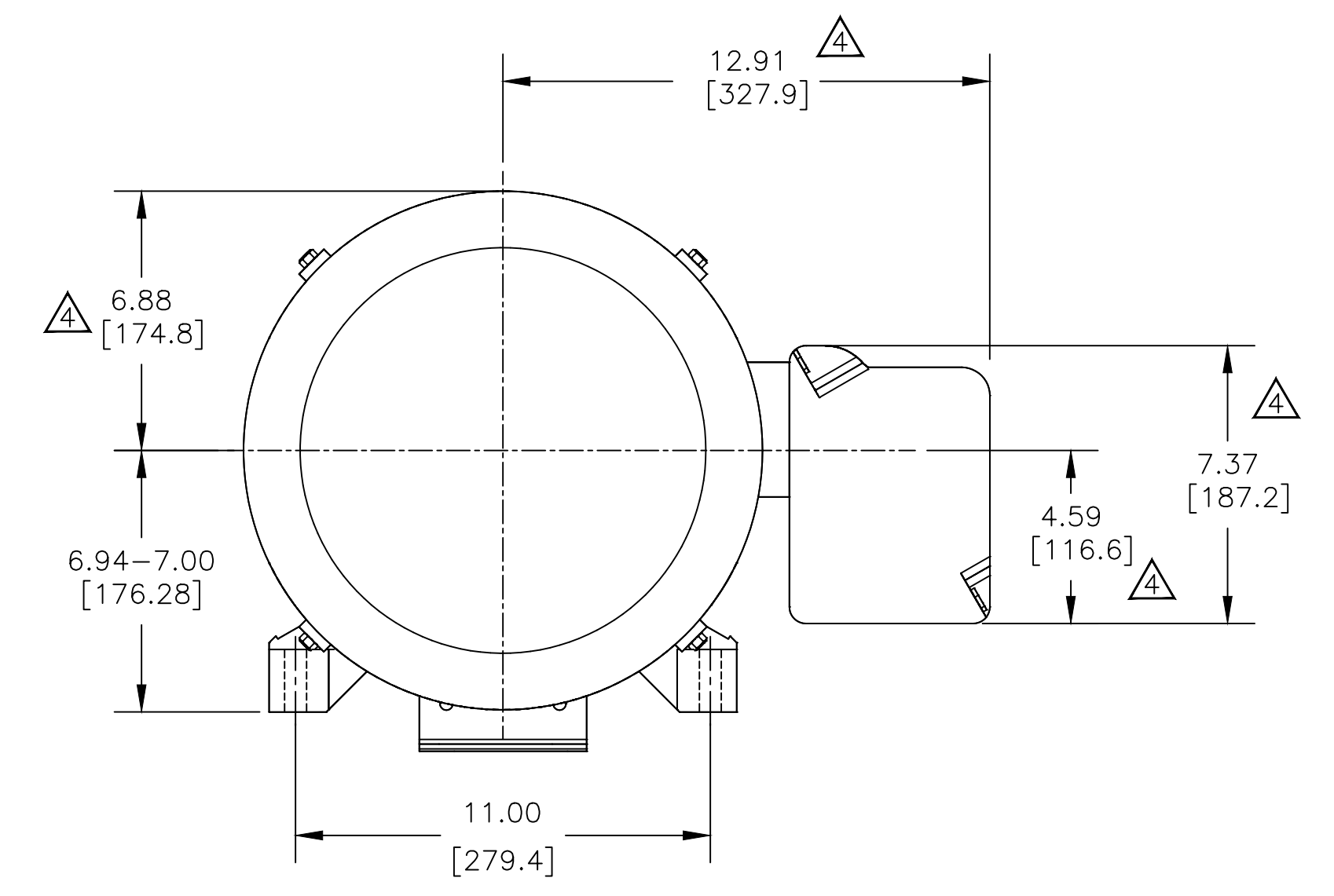
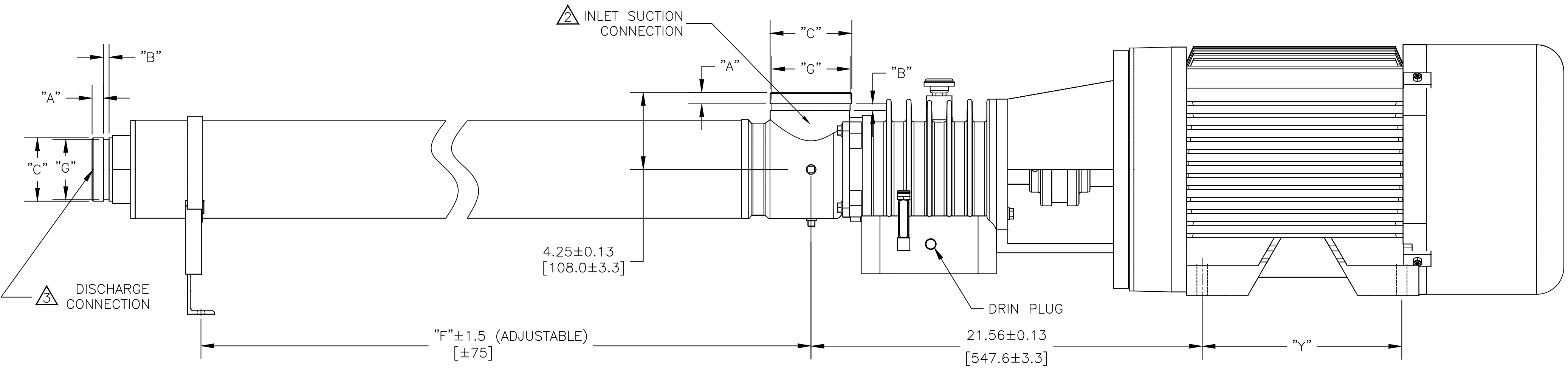
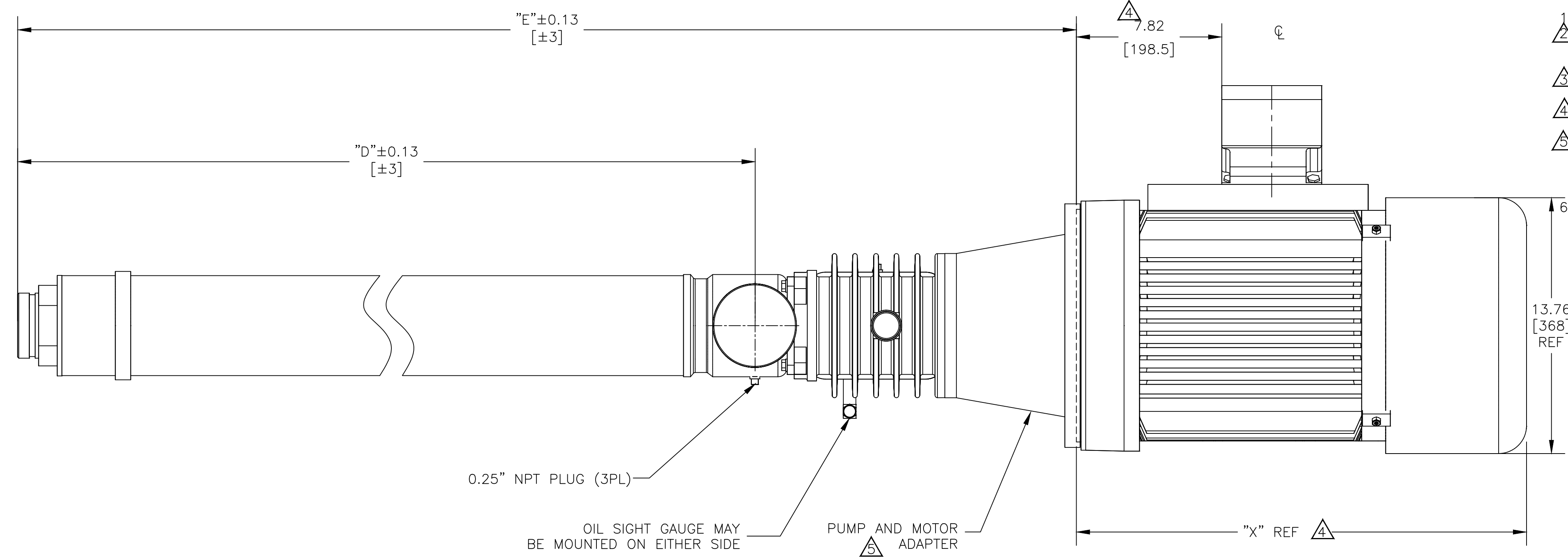


NOTES:

- 1 DIMENSIONS ARE IN INCHES [MILLIMETERS].
- 2 PUMP INLET CONNECTIONS MATE WITH 3-INCH VICTAULIC TYPE CLAMPED UNION.
- 3 PUMP INLET MAY BE ROTATED IN 90° INCREMENTS.
- 4 PUMP DISCHARGE CONNECTIONS MATE WITH 3-INCH VICTAULIC TYPE CLAMPED UNION.
- 5 TEFC GE 284TSC MOTOR SHOWN, MOTOR DIMENSIONS WILL VARY WITH MANUFACTURER AND ARE SHOWN FOR REFERENCE ONLY.
- 6 PUMP AND MOTOR ADAPTER WILL ACCEPT NEMA 284TSC FRAMES 3565 RPM ELECTRIC MOTOR AND A FLEXIBLE COUPLING WITH THE END OF THE PUMP DRIVE SHAFT. THE 284TSC FRAME MOTORS MUST HAVE A BASE AND BE RIGIDLY MOUNTED. MOUNTING OF BEARING FRAME BASE IN A STRAIN-FREE MANNER IS OPTIONAL WITH 284/286TSC FRAME MOTORS.
- 7 SEE PUMP INSTRUCTIONS P/N 1125317 FOR ADDITIONAL INFORMATION ON INSTALLATION, STARTUP, AND MAINTENANCE.



VICTAULIC® DIMENSIONS STANDARD 3"		
ITEM	INCHES	MILLIMETERS
"A"	0.625±0.031	15.88±0.78
"B"	0.312±0.031	7.94±0.78
"C"	3.500±0.031	88.90±0.78
"G"	3.344 ^{+0.000} _{-0.018}	84.94 ^{+0.00} _{-0.46}

NEMA FRAME SIZE	"X"		"Y"	
	INCHES	[MM]	INCHES	[MM]
284TSC	24.20	615	11.00	279.4

MODELS		"D"	"E"	"F"
		INCHES	INCHES	INCHES
AS14010KZC	AS14010KZC	46.19	62.72	40.19

REV	DESCRIPTION	ECO	DWN	APPR	APPR	DATE
E	VEOLIA REBRANDING	140586	HP	NL	NL	09 Jan 23
D	SUEZ REBRANDING	131562	TG	SR	MS	20 Sep 18
C	SUCTION HEIGHT ADJUSTED	15466	GMK	SS	MG	30JAN13
B	CORRECTED TABLES, REVISED DIMENSIONS IN	15205	GMK	SS	MG	09AUG12
A	INITIAL RELEASE	14826	-	-	-	-

TOLERANCES UNLESS NOTED
DECIMALS ANGLES
.X 0.1 2
XX 0.03
XXX 0.010

CUSTOMER INFORMATION

VEOLIA

DWG,TF,OUTLINE,AS14000KZC,
284TSC NEMA MOTOR

DRAWING NUMBER		REVISION	
1310576		E	
REF.: -	DOC. OWNER: -	SCALE	SIZE
PROJECT NO.	PART/MATERIAL NO.	1:4	D
		SHEET	1 OF 1